



4108 / 4114  
 4115 / 4129  
 4136 / 4145  
 4147

**Read installation instructions completely before installing.**

**WARNING**

Do not inflate the air springs when unrestricted. They must be restricted by a coil spring. Do not inflate beyond recommended operating pressures for your specific vehicle. Improper use or over inflation may cause property damage or severe personal injury.

**NOTE 1:** If your vehicle is equipped with vibration dampers between the turns of the coil, it is necessary that these be removed before installing the air springs.

**NOTE 2:** Some mid-size General Motors vehicles have a solid surface located on the lower spring seat which will not allow the air line to exit the coil. Removal of this cup is mandatory before installing the Coil-Rite air helper springs. The cup is spot welded and can be removed by using a chisel.

**NOTE 3:** 1991 and up Ford Crown Victoria, Mercury Grand Marquis, Chevy Suburban, Tahoe, GMC Yukon, Honda Passport and Isuzu Amigo, Rodeo, Trooper, and Nissan Patrol use Step 2B.

**VEHICLE PREPERATION**

With the vehicle on a solid level surface chock the front wheels. Raise the vehicle using a lift or platform jack rated for your vehicle weight to lift the rear wheels off the surface. Remove the rear wheels. Lower the vehicle onto jack stands rated for your vehicles weight making sure the suspension is fully extended. (Do NOT use wood or concrete blocks to support the weight of the vehicle.)

**HEAT SHIELD**

Before beginning the installation of your Coil-Rite kit, check the clearance from the coil spring to the exhaust. If there is less than two inches you will need to move the exhaust pipe for additional clearance. Heat shield instructions are on a supplemental sheet included with your kit. (*Note: Heat shield is not used in the 4110 kit*)

**PARTS LIST**

AIR SPRINGS	2
LOWER SUPPORTS	2
18' AIR LINE	1
NYLON TIE	6
PUSH-TO-CONNECT INFLATION VALVE	2
5/16" FLAT WASHER	4
PTC PLUGS	2

**SHOCK ABSORBERS**

If necessary, additional clearance between the coil spring turns may be obtained by removing the shock absorbers from the lower mounts and lowering the suspension an additional one to two inches. (CAUTION: Do not put strain or tension on the flexible brake line.)

**STEP 1 – AIR SPRING PREPARATION**

Cut a section of air line tubing 3 inches in length and install into the push-to-connect fitting on the air spring. Exhaust the air from the air spring by rolling it up toward the air inlet. Install the plug into the tubing coming out of the air spring.

**STEP 2A – INSTALLING THE AIR SPRING**

Insert the flattened air spring into the coil spring through the lowest opening with the push-to-connect air inlet at the bottom of the coil spring refer to *Figure "AA"*.

**STEP 2B – INSTALLING THE AIR SPRING**

Insert the flattened air spring into the coil spring through the lowest opening with the push-to-connect air inlet at the top of the coil spring as shown in *Figure "AB"*.

**STEP 3 – ADJUSTING THE AIR SPRING**

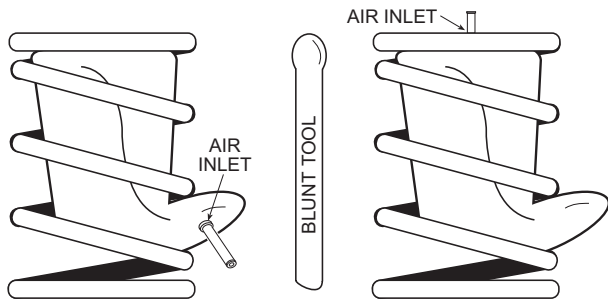
Push the air spring up into the coil spring by hand or with a blunt tool, such as a spoon shaped tire iron or 1/2" extension. Do NOT use anything with sharp edges or corners as this may damage the air spring.

**STEP 4 – PLACING SUPPORTS**

When the air spring is completely within the coil spring, remove the plug and short piece of air line by pushing the collar of the fitting towards the air spring. Allow the air

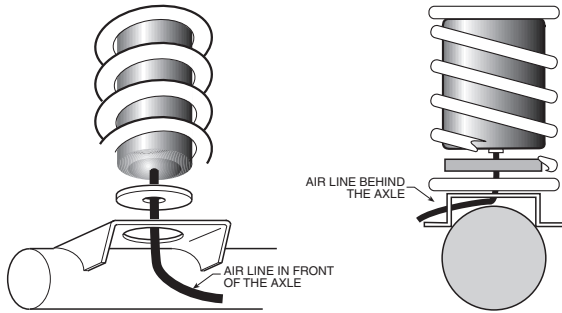
**OPERATING PRESSURES**

PASSENGER CARS	5-30 p.s.i.
1/2 TON VEHICLES	5-30 p.s.i.
SUV's	5-25 p.s.i.



**Figure "AA"**

**Figure "AB"**

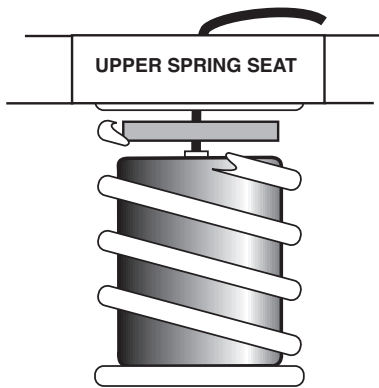


**Figure "BA"**

**Figure "BB"**

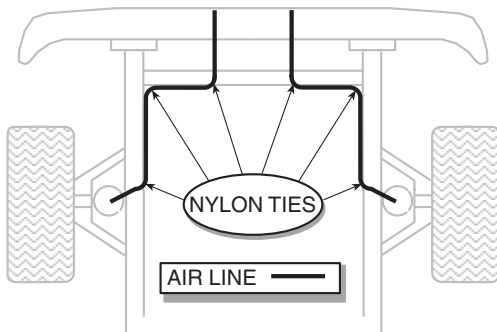
GM 1967-1972 vehicles,  
Ford 1966-1978 vehicles  
air line in front of the axle.

GM 1973 & up Passenger  
Cars, Ford 1979-1990 vehicles  
air line behind the axle.



**Figure "C"**

1991 and up Ford Crown Victoria  
1991 and up Mercury Grand Marquis



**Figure "D"**

spring to return to its normal shape. Push the air spring to the top of the coil spring. Insert the support between the air spring and the coil spring seat as shown in **Figures "BA", "BB" and "C"**.

#### **STEP 5 – REATTACH THE SHOCK ABSORBER**

Attach shock absorbers if removed earlier in the installation.

#### **STEP 6 – ROUTE THE AIR LINE**

Cut the air line tubing into two equal lengths (cut the tubing as squarely as possible). Select a location for the inflation valves in a protected area, such as: on the bumper or body (Note: The inflation valve will be installed in step 8).

Insert the air line tubing into the push-to-connect fitting on the air spring as far as possible. Route the air line from the air spring to the desired inflation valve location.

#### **STEP 7 – HOSE ATTACHMENT TO THE VEHICLE**

With the tubing routed from the air spring to the location of the inflation valve. Use the nylon ties supplied to secure the air line tubing to the vehicle as shown in **Figure "D"**. Be careful to avoid heat and sharp edges when fastening the tubing to the vehicle. Route the tubing away from the exhaust system.

#### **STEP 8 – INSTALLING THE INFLATION VALVE**

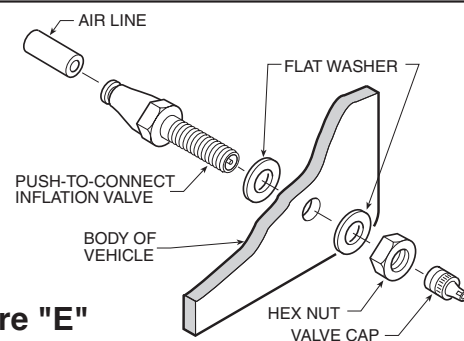
Drill a 5/16" hole where you wish to mount the inflation valve. Remember to keep the inflation valve in a protected area that is easily accessible. Attach the inflation valve to the bumper or body of the vehicle as shown in **Figure "E"**. Tighten all nuts at this time.

Cut the excess air line tubing so that it will fit easily into the inflation valve, making sure the end is cut squarely (a "saw" cut with a sharp knife is preferred). Push the end of the tubing into the inflation valve as far as possible.

#### **FOLLOW STEPS 1-8 FOR THE OTHER SIDE**

#### **STEP 9 – INFLATE AND TEST**

Inflate the air springs to recommended maximum operating pressure (see page 1 for operating pressures). With a soap and water solution, check for air leaks around the fittings and valve core. Remove the jack stands and lower the vehicle to the ground. Inflating and deflating in 5 p.s.i. increments to find the ideal riding condition for your vehicle.



**Figure "E"**



# Do Not Return This Product to the Dealer or Distributor

## If you are

- missing parts,
- experiencing installation problems, or
- have technical concerns regarding this product,

you may contact a Firestone Technical Service Representative at [rrtech@fsip.com](mailto:rrtech@fsip.com) or at 800-888-0650 (option 1, and then option 2). Representatives are available from 7:30 a.m. – 4:30 p.m. Eastern on Monday – Friday, excluding holidays. If you are located outside of the United States, you should first contact your distributor or dealer directly with any issues.

When contacting Technical Service, please have the kit or part # ready, along with the make, model, and year of the vehicle. You may also need to provide details, such as 2WD/4WD or if the vehicle has been lifted or lowered from stock height.

If you have a warranty concern, please include in your email a detailed description of the situation, a photo(s) of the issue, and your contact information, including ship-to address.

**WARRANTY COVERAGE\***— The Ride-Rite™ kits, components, and accessories are warranted against defects in workmanship and materials. This warranty does not cover service or labor charges, neglect...to the product.

### **PERIOD OF COVERAGE:**

- |   |  |
|---|--|
| • Ride-Rite air springs – Lifetime Limited  | • Work-Rite load assists – 2 Years Limited                                       |
| • Sport-Rite air springs – Lifetime Limited | • Air-Rite accessories – 2 Years Limited   |
| • Coil-Rite air springs – Lifetime Limited  | • Brackets, hardware, fittings, air line, and other components – 2 Years Limited |
| • Level-Rite air springs – Lifetime Limited |  |

**HOW TO MAKE A WARRANTY CLAIM** — If you purchased your air springs in the U.S. or Canada and believe you have a part with a warrantable defect, call Firestone directly at 1-800-888-0650.

International customers should contact their distributors or dealers directly with any problems.

(\*) Please refer to the “Firestone Limited Lifetime Air Spring Warranty” for details, terms, and conditions.

## **WARRANTY QUESTIONS**

Go to [www.riderite.com/installation-support](http://www.riderite.com/installation-support)  
Select “Warranty Info” tab